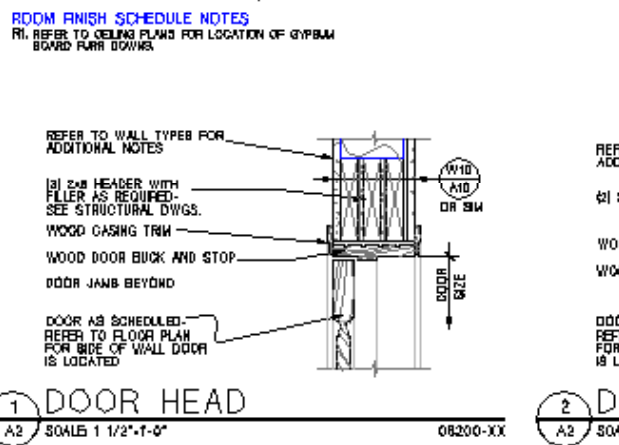
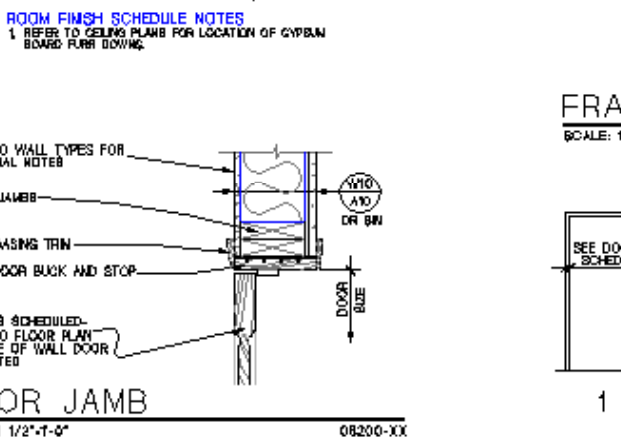


ROOM FINISH SCHEDULE										
MARK	ROOM NAME	FLOORING	BASE	WALLS	CEILING	NOTES	MARK			
				1. PAINT 2. TILE 3. WAINSCOT 4. IMPREGNATED GYPSON BOARD	PAINTED GYPSON BOARD SUSPENDED ACoustICAL PLATE					
				N E W B	HT.					
101	VESTIBULE			1 1 1 1	2'-0" 2 1/4"		101			
102	CORRIDOR			1 1 1 1	2'-0" 2 1/4"		102			
103	LOBBY			1 1 1 1			103			
104	OFFICE			1 1 1 1	8'-0"		104			
105	OFFICE			1 1 1 1	8'-0"		105			
106	OFFICE			1 1 1 1	8'-0"		106			
107	ELECTRICAL			1 1 1 1	11'-0" 3/4"		107			
108	MECHANICAL			1 1 1 1	11'-0" 3/4"		108			
109	OFFICE			1 1 1 1	8'-0"		109			
110	OFFICE			1 1 1 1	8'-0"		110			
111	OFFICE			1 1 1 1	8'-0"		111			
112	OFFICE			1 1 1 1	8'-0"		112			
113	OFFICE			1 1 1 1	8'-0"		113			
114	OFFICE			1 1 1 1	8'-0"		114			
115	CORRIDOR			1 1 1 1	8'-0" 2 1/4"		115			
116	OFFICE			1 1 1 1	8'-0"		116			
117	OFFICE			1 1 1 1	8'-0"		117			
118	OFFICE			1 1 1 1	8'-0"		118			
119	OFFICE			1 1 1 1	8'-0"		119			
120	OFFICE			1 1 1 1	8'-0"		120			
121	OFFICE			1 1 1 1	8'-0"		121			
122	OFFICE			1 1 1 1	8'-0"		122			
123	MECHANICAL			1 1 1 1	11'-0" 3/4"		123			
124	ELECTRICAL			1 1 1 1	11'-0" 3/4"		124			
125	OFFICE			1 1 1 1	8'-0"		125			
126	OFFICE			1 1 1 1	8'-0"		126			
127	OFFICE			1 1 1 1	8'-0"		127			
128	OFFICE			1 1 1 1	8'-0"		128			
129	OFFICE			1 1 1 1	8'-0"		129			
130	OFFICE			1 1 1 1	8'-0"		130			
131	OFFICE			1 1 1 1	8'-0"		131			
132	CORRIDOR			1 1 1 1	8'-0" 2 1/4"		132			
133	HALL			1 1 1 1	8'-0"		133			
134	OFFICE			1 1 1 1	8'-0"		134			
135	OFFICE			1 1 1 1	8'-0"		135			
136	OFFICE			1 1 1 1	8'-0"		136			
137	JANITOR			1 1 1 1	11'-0" 3/4"		137			
138	NOT USED						138			
139	OFFICE			1 1 1 1	8'-0"		139			
140	OFFICE			1 1 1 1	8'-0"		140			
141	OFFICE			1 1 1 1	8'-0"		141			
142	MECHANICAL			1 1 1 1	11'-0" 3/4"		142			
143	OFFICE			1 1 1 1	8'-0"		143			
144	OFFICE			1 1 1 1	8'-0"		144			
145	OFFICE			1 1 1 1	8'-0"		145			
146	CORRIDOR			1 1 1 1	8'-0" 2 1/4"		146			
147	OFFICE			1 1 1 1	8'-0"		147			
148	OFFICE			1 1 1 1	8'-0"		148			
149	OFFICE			1 1 1 1	8'-0"		149			
150	OFFICE			1 1 1 1	8'-0"		150			
151	OFFICE			1 1 1 1	8'-0"		151			
152	OFFICE			1 1 1 1	8'-0"		152			
153	CLOSET			1 1 1 1	8'-0"		153			
154	ELEV. NATCH			1 1 1 1	11'-0" 3/4"		154			
155	OFFICE			1 1 1 1	8'-0"		155			
156	OFFICE			1 1 1 1	8'-0"		156			
157	OFFICE			1 1 1 1	8'-0"		157			
158	OFFICE			1 1 1 1	8'-0"		158			
159	OFFICE			1 1 1 1	8'-0"		159			
160	MECHANICAL			1 1 1 1	11'-0" 3/4"		160			
161	OFFICE			1 1 1 1	8'-0"		161			
162	CLOSET			1 1 1 1	8'-0"		162			
163	OFFICE			1 1 1 1	8'-0"		163			



ROOM FINISH SCHEDULE										
MARK	ROOM NAME	FLOORING	BASE	WALLS	CEILING	NOTES	MARK			
				1. PAINT 2. TILE 3. WAINSCOT 4. IMPREGNATED GYPSON BOARD	PAINTED GYPSON BOARD SUSPENDED ACoustICAL PLATE					
				N E W B	HT.					
201	OFFICE			1 1 1 1	8'-0"		201			
202	CORRIDOR			1 1 1 1	8'-0" 2 1/4"		202			
203	LOBBY			1 1 1 1			203			
204	OFFICE			1 1 1 1	8'-0"		204			
205	OFFICE			1 1 1 1	8'-0"		205			
206	OFFICE			1 1 1 1	8'-0"		206			
207	OFFICE			1 1 1 1	8'-0"		207			
208	OFFICE			1 1 1 1	8'-0"		208			
209	OFFICE			1 1 1 1	8'-0"		209			
210	OFFICE			1 1 1 1	8'-0"		210			
211	OFFICE			1 1 1 1	8'-0"		211			
212	OFFICE			1 1 1 1	8'-0"		212			
213	OFFICE			1 1 1 1	8'-0"		213			
214	OFFICE			1 1 1 1	8'-0"		214			
215	CORRIDOR			1 1 1 1	8'-0" 2 1/4"		215			
216	OFFICE			1 1 1 1	8'-0"		216			
217	OFFICE			1 1 1 1	8'-0"		217			
218	OFFICE			1 1 1 1	8'-0"		218			
219	OFFICE			1 1 1 1	8'-0"		219			
220	OFFICE			1 1 1 1	8'-0"		220			
221	OFFICE			1 1 1 1	8'-0"		221			
222	OFFICE			1 1 1 1	8'-0"		222			
223	MECHANICAL			1 1 1 1	11'-0" 3/4"		223			
224	ELECTRICAL			1 1 1 1	11'-0" 3/4"		224			
225	OFFICE			1 1 1 1	8'-0"		225			
226	OFFICE			1 1 1 1	8'-0"		226			
227	OFFICE			1 1 1 1	8'-0"		227			
228	OFFICE			1 1 1 1	8'-0"		228			
229	OFFICE			1 1 1 1	8'-0"		229			
230	OFFICE			1 1 1 1	8'-0"		230			
231	OFFICE			1 1 1 1	8'-0"		231			
232	OFFICE			1 1 1 1	8'-0"		232			
233	CORRIDOR			1 1 1 1	8'-0" 2 1/4"		233			
234	HALL			1 1 1 1	8'-0"		234			
235	OFFICE			1 1 1 1	8'-0"		235			
236	OFFICE			1 1 1 1	8'-0"		236			
237	JANITOR			1 1 1 1	11'-0" 3/4"		237			
238	NOT USED						238			
239	OFFICE			1 1 1 1	8'-0"		239			
240	OFFICE			1 1 1 1	8'-0"		240			
241	OFFICE			1 1 1 1	8'-0"		241			
242	MECHANICAL			1 1 1 1	11'-0" 3/4"		242			
243	OFFICE			1 1 1 1	8'-0"		243			
244	OFFICE			1 1 1 1	8'-0"		244			
245	OFFICE			1 1 1 1	8'-0"		245			
246	CORRIDOR			1 1 1 1	8'-0" 2 1/4"		246			
247	OFFICE			1 1 1 1	8'-0"		247			
248	OFFICE			1 1 1 1	8'-0"		248			
249	OFFICE			1 1 1 1	8'-0"		249			
250	OFFICE			1 1 1 1	8'-0"		250			
251	OFFICE			1 1 1 1	8'-0"		251			
252	OFFICE			1 1 1 1	8'-0"		252			
253	CLOSET			1 1 1 1	8'-0"		253			
254	MECHANICAL			1 1 1 1	11'-0" 3/4"		254			
255	OFFICE			1 1 1 1	8'-0"		255			
256	OFFICE			1 1 1 1	8'-0"		256			
257	OFFICE			1 1 1 1	8'-0"		257			
258	NOT USED						258			
259	OFFICE			1 1 1 1	8'-0"		259			
260	NOT USED						260			
261	OFFICE			1 1 1 1	8'-0"		261			
262	CLOSET			1 1 1 1	8'-0"		262			
263	OFFICE			1 1 1 1	8'-0"		263			



DOOR SCHEDULE										
MARK	RATING	TYPE	FRAME	GLAZING	SIZE	TYPE	WATER	GLAZING	DETAILS	NOTES
101-1	1	1	1	1	012'-0" x 0'-0"	0				
102-1	1	1	1	1	012'-0" x 0'-0"	0				
103-1	1	1	1	1	012'-0" x 0'-0"	0				
104-1	1	1	1	1	012'-0" x 0'-0"	0				
105-1	1	1	1	1	012'-0" x 0'-0"	0				
106-1	1	1	1	1	012'-0" x 0'-0"	0				
107-1	1	1	1	1	012'-0" x 0'-0"	0				
108-1	1	1	1	1	012'-0" x 0'-0"	0				
109-1	1	1	1	1	012'-0" x 0'-0"	0				
110-1	1	1	1	1	012'-0" x 0'-0"	0				
111-1	1	1	1	1	012'-0" x 0'-0"	0				
112-1	1	1	1	1	012'-0" x 0'-0"	0				
113-1	1	1	1	1	012'-0" x 0'-0"	0				
114-1	1	1	1	1	012'-0" x 0'-0"	0				
115-1	1	1	1	1	012'-0" x 0'-0"	0				
116-1	1	1	1	1	012'-0" x 0'-0"	0				
117-1	1	1	1	1	012'-0" x 0'-0"	0				
118-1	1	1	1	1	012'-0" x 0'-0"	0				
119-1	1	1	1	1	012'-0" x 0'-0"	0				
120-1	1	1	1	1	012'-0" x 0'-0"	0				
121-1	1	1	1	1	012'-0" x 0'-0"	0				
122-1	1	1	1	1	012'-0" x 0'-0"	0				
123-1	1	1	1	1	012'-0" x 0'-0"	0				
124-1	1	1	1	1	012'-0" x 0'-0"	0				
125-1	1	1	1	1	012'-0" x 0'-0"	0				
126-1	1									