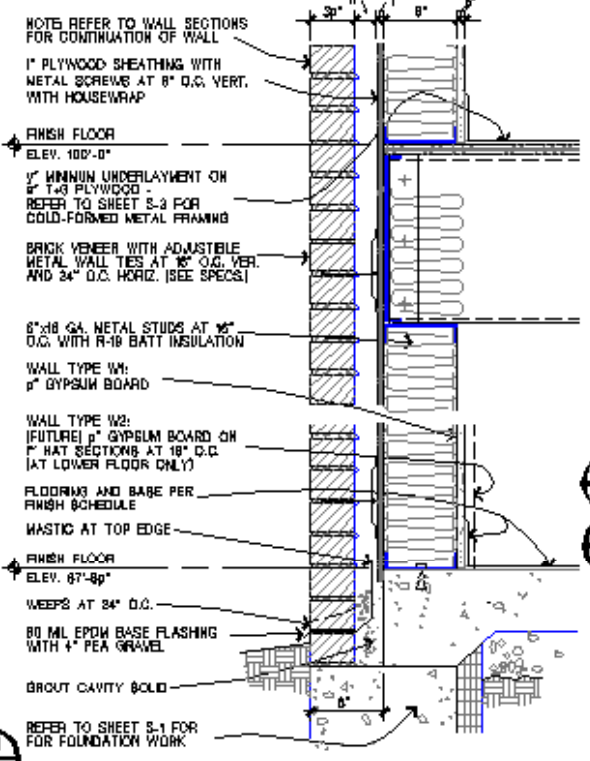
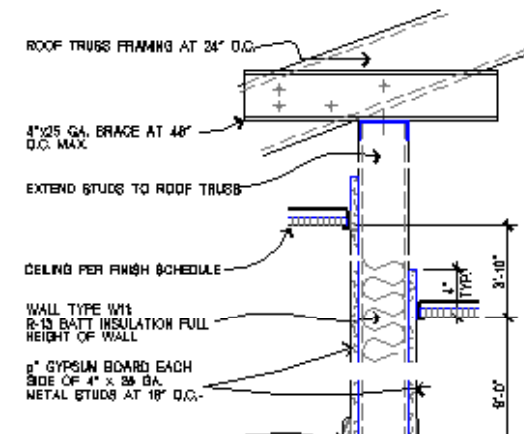


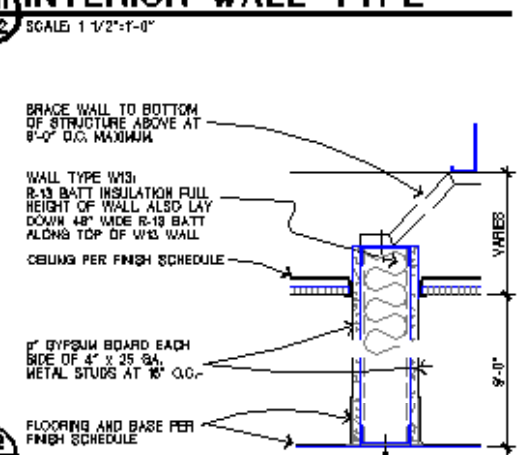
# WALL TYPES



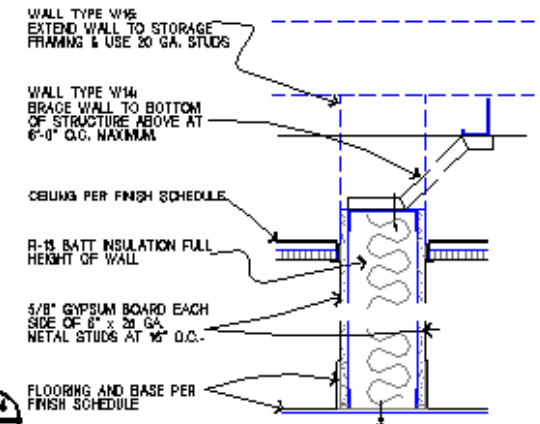
**W1**  
**A12**  
**W2**  
**A12**  
**W2**  
**A12**  
**EXTERIOR WALL TYPE**  
SCALE: 1/2"=1'-0"



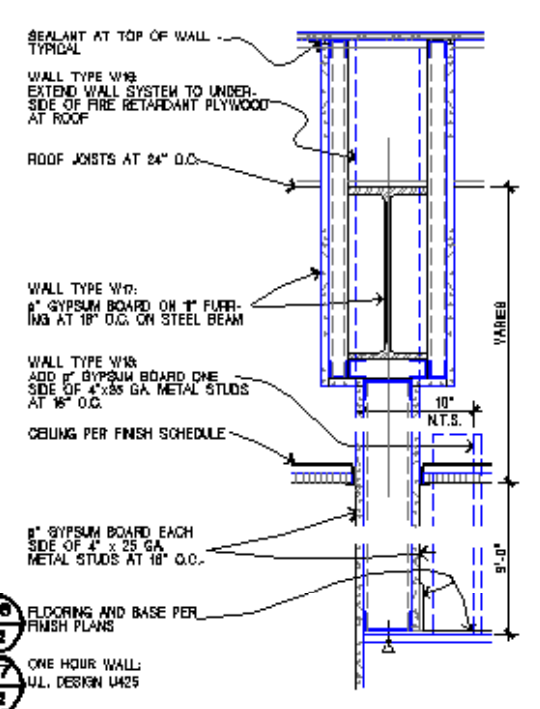
**W10**  
**A12**  
**W11**  
**A12**  
**W11**  
**A12**  
**INTERIOR WALL TYPE**  
SCALE: 1 1/2"=1'-0"



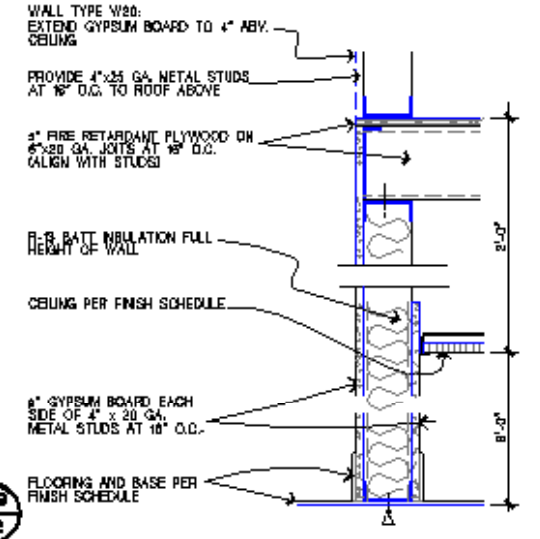
**W12**  
**A12**  
**W13**  
**A12**  
**W13**  
**A12**  
**INTERIOR WALL TYPE**  
SCALE: 1 1/2"=1'-0"



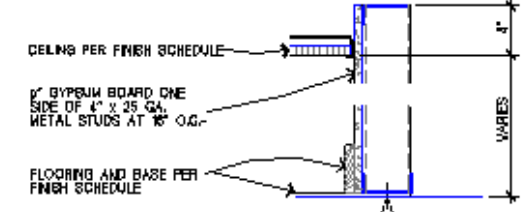
**W14**  
**A12**  
**W15**  
**A12**  
**W15**  
**A12**  
**INTERIOR WALL TYPE**  
SCALE: 1 1/2"=1'-0"



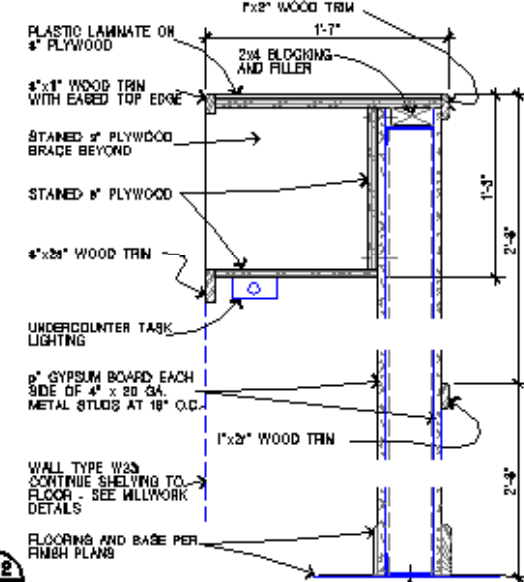
**W16**  
**A12**  
**W17**  
**A12**  
**W18**  
**A12**  
**W18**  
**A12**  
**INTERIOR WALL TYPE**  
SCALE: 1 1/2"=1'-0"



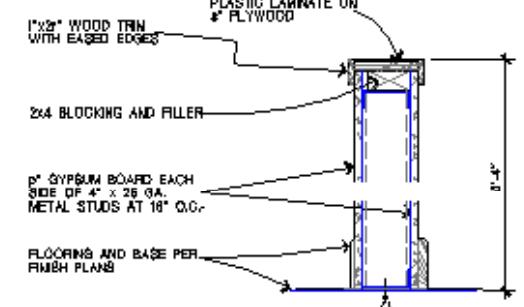
**W19**  
**A12**  
**W20**  
**A12**  
**W20**  
**A12**  
**INTERIOR WALL TYPE**  
SCALE: 1 1/2"=1'-0"



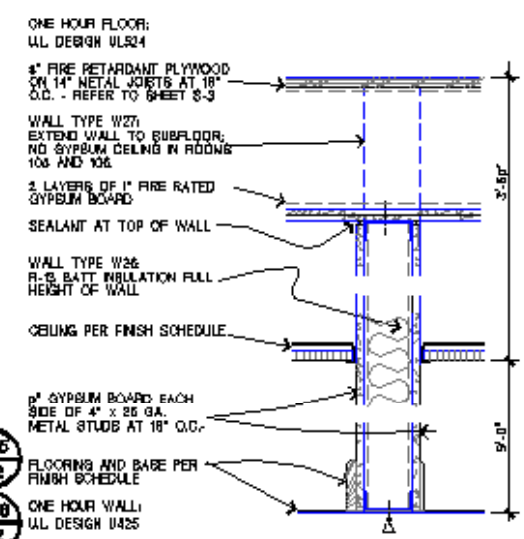
**W21**  
**A12**  
**W21**  
**A12**  
**INTERIOR WALL TYPE**  
SCALE: 1 1/2"=1'-0"



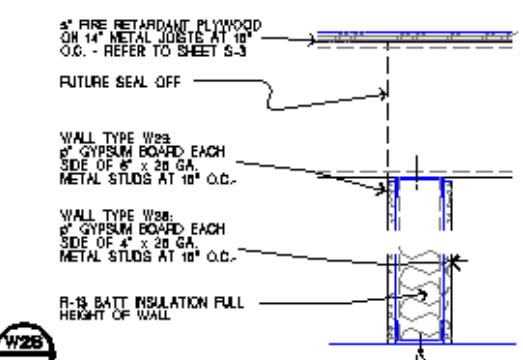
**W22**  
**A12**  
**W23**  
**A12**  
**W23**  
**A12**  
**INTERIOR WALL TYPE**  
SCALE: 1 1/2"=1'-0"



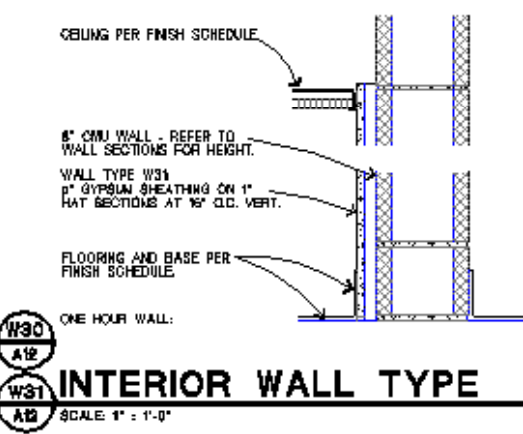
**W24**  
**A12**  
**W24**  
**A12**  
**INTERIOR WALL TYPE**  
SCALE: 1 1/2"=1'-0"



**W26**  
**A12**  
**W26**  
**A12**  
**W27**  
**A12**  
**W27**  
**A12**  
**INTERIOR WALL TYPE**  
SCALE: 1 1/2"=1'-0"



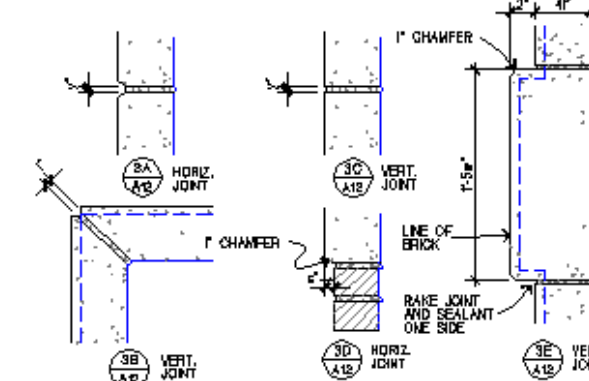
**W28**  
**A12**  
**W29**  
**A12**  
**W29**  
**A12**  
**INTERIOR WALL TYPE**  
SCALE: 1 1/2"=1'-0"



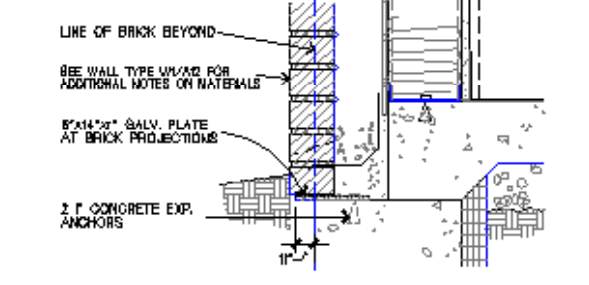
**W30**  
**A12**  
**W31**  
**A12**  
**W31**  
**A12**  
**INTERIOR WALL TYPE**  
SCALE: 1"=1'-0"

**WALL TYPE NOTES**

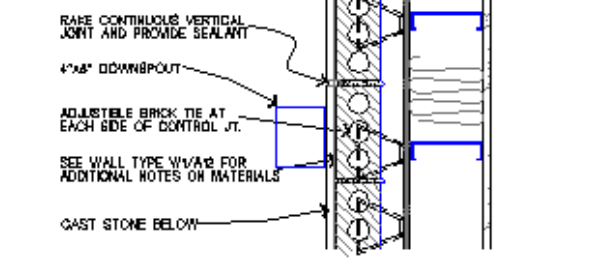
- HOLD ALL GYPSUM BOARD ON WALLS AT LOWER FLOOR 1' ABOVE FLOOR.
- INSTALL WATER RESISTANT GYPSUM BOARD AT ALL WALLS THAT HAVE TOILETS, URINALS, SINKS AND SHOWERS.



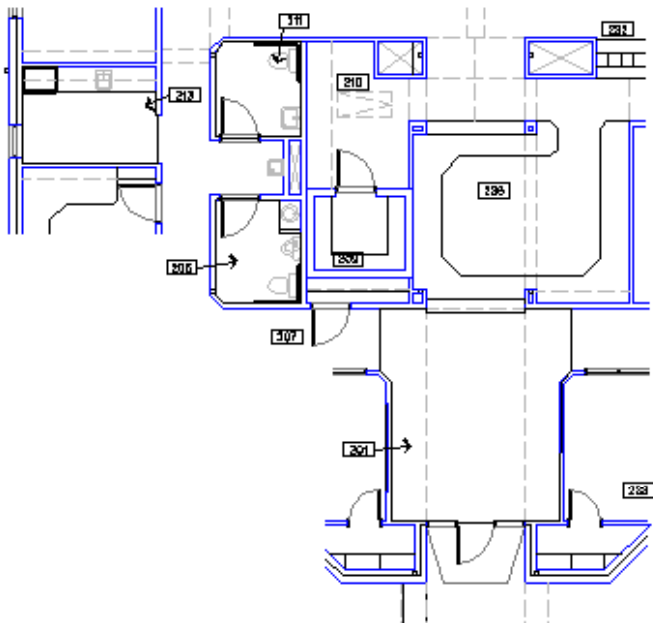
**3**  
**A12**  
**3**  
**A12**  
**CAST STONE DETAILS**  
SCALE: 1 1/2"=1'-0"



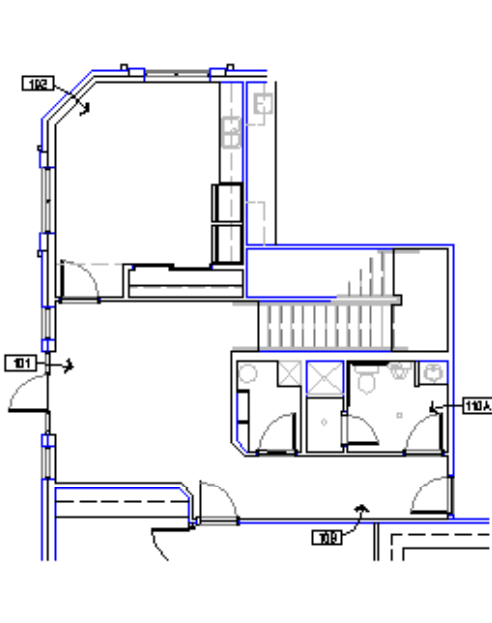
**4**  
**A12**  
**4**  
**A12**  
**BRICK SUPPORT**  
SCALE: 1 1/2"=1'-0"



**6**  
**A12**  
**6**  
**A12**  
**CONTROL JOINT**  
SCALE: 1 1/2"=1'-0"



**1**  
**A12**  
**1**  
**A12**  
**UPPER FLOOR TILE LAYOUT**  
SCALE: 1/8"=1'-0"



**2**  
**A12**  
**2**  
**A12**  
**LOWER FLOOR TILE LAYOUT**  
SCALE: 1/8"=1'-0"

NOTE: SEE SPECIFICATIONS FOR FLOOR TILE LAYOUT PATTERNS.